

提供压缩空气系统是我们的核心事业 Air Solutions Are Our Core Business

为实现用户最低的采购成本，寿力提供一整套空气系统，该系统具有更低的运行费用，高可靠性和最大的投资回报。

For the lowest total cost of ownership, Sullair provides an air system designed to lower operating cost, improve reliability and maximize return on investment.



通过分析，管理和控制用户所有的压缩空气设备，寿力为客户提供压缩空气系统以帮助用户降低运行成本，提高生产效率。为了满足您对压缩空气系统的特殊要求，请联系寿力当地代理商寻求更多的帮助。获取当地代理商联系方式，请浏览以下网站或打电话。

Sullair offer air systems to help compressed air users reduce their energy costs and improve their productivity by analyzing, managing and controlling total compressed air systems. Information on the compressed air system tailored to your specific needs can be obtained by contacting your local Sullair Distributor. To acquire local distributor contact information, see the below.



美国寿力



资料修改，恕不通知 47-04-1310

寿力螺杆式空气压缩机 Sullair Rotary Screw Air Compressors AS04-AS110 ■ 4-110kW



唯一专注于螺杆技术的空气压缩机制造厂家

The Only Air Compressor Manufacturer to Concentrate Exclusively on Rotary Screw Technology

自1965年以来，寿力公司一直引领螺杆压缩和真空技术领域的创新。我们凭借40多年的经验，对这一领域进行了新一轮的革新。寿力公司采用最先进的技术、设备和生产工艺为客户提供最优良的空气压缩机和真空设备，满足客户最严格的要求。寿力公司具有一流的螺杆转子设计，它引领了该领域的工业潮流。

Since its founding in 1965, Sullair has been recognized around the world as an innovator in rotary screw compression and vacuum technology. With more than 40 - year expertise, Sullair is leading innovation in this field. Utilizing the most modern technologies, equipment and advanced manufacturing techniques, Sullair designs, manufactures, assembles, and tests the most innovative compressed air and vacuum products in the industry.

寿力产品以其实用设计，突出的技术和卓越的质量闻名于世。寿力专业人员通过优化设计，在确保寿力产品令人称奇的可靠性、稳定性及相关性能参数的前提下，为您提供结构简单，操作简便，性能卓越的AS系列4-110kW空压机。事实上，它的设计在各个方面为该行业引领了新的标准。

Sullair products are known around the world for their universally applicable design, outstanding craftsmanship and superior quality. AS series (4-110kW) compressor, which are environmental, reliable, quiet, with excellent performance and easy to be maintained, has been provided by Sullair. These machines have redefined industry standards for continuous duty compressors in the 4-110kW range.



本企业通过ISO9001:2000国际质量体系认证
This product was manufactured in the highest quality standards in an ISO9001 certified system

与寿力在一起，您购买的是完善的客户服务

With Sullair, You Are Buying Customer Service

“客户满意”是寿力公司的理念的基石。我们的服务包括：

- 设备维护
- 客户培训
- 高效节能产品
- 正品零件供应

At Sullair, Total Customer Satisfaction is a cornerstone of our corporate philosophy. We offer:

- Maintenance and service
- Customer training
- Energy efficient products
- Sullair parts



节能认证

近二十款AS系列空气压缩机能效指标符合国家节能评价价值的要求，部分机型达到I级能效标准，将可申请国家节能补贴。

Energy Saving Certification

Parts of AS air compressors get to the evaluating values of energy conservation of GB19153-2009. And some get to the class I of it. That means better benefits.



与寿力在一起，您得到的不仅仅是空压机

With Sullair, You Are Not Just Buying a Compressor.

与寿力在一起，您购买的是世界领先的螺杆技术和全球的能力。寿力公司为制造业、纺织、食品、建筑、采矿、能源等各行各业提供优质的产品和服务。

Your also receive worldwide leadership in rotary screw technology and global capabilities. Sullair serves the compressed air needs of manufacturing, textile, mining and energy-related businesses etc, around the world.

寿力国际服务网络包括各地子公司、指定代理商及经销商，他们每天都在向世界每一个角落的寿力客户提供尽善尽美的服务。

Sullair's international network of field offices, authorized distribution centres and licensees respond to the needs of Sullair customers in every corner of the world. They are rapidly and directly.

AS 04-110 系列空气压缩机

AS 04-110 Series Compressor



高效螺杆转子

- 配对加工的转子，具有极高的压缩效率
- 槽线和节线设计，减少了内部泄漏

Outstanding Screw Rotors

- The screw rotors are manufactured by matching with excellent efficiency
- The rotary screw design delivers the quality and reliability

压缩主机

- 专利设计，低噪音，寿命长达100000小时的高品质轴承，确保主机稳定性和长寿命
- 轴承润滑油储存槽保证了空压机优异的启动及加载性能

Air End

- Patented rotor design, low noise and excellent bearings (longer life for 100,000 hours) ensures the air end longer life
- BFR(Bearing Fluid Reservoirs)ensure fluid is available at startup and on load

弹性联轴器

- 避免载荷冲击，传动效率高，运行可靠
- 可径向拆装，便于对轴封进行维护

Flexible Couple

- Avoiding impulsive load, high efficient driving and reliable operation
- Install or remove the element radially and easy of maintenance for shaft seal

油气分离系统

- 大容积高效的油气分离系统，内部为特殊设计，多级分离结构，分离效果佳
- 低压降，减少至少1%的功耗

Oil-air Separator

- Big tank for Oil-air Separator, more classes separation to good separation result
- The pressure decreased lowly and saving almost 1% power

进气调节阀

- 减少空压机加卸载的次数，运行费用低
- 减少载荷冲击，延长机器寿命

Inlet Valve

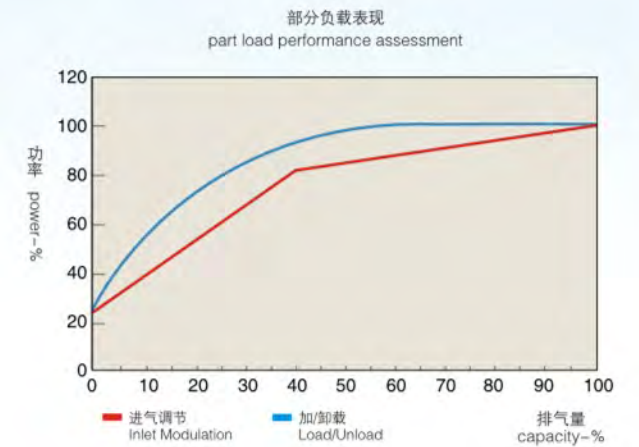
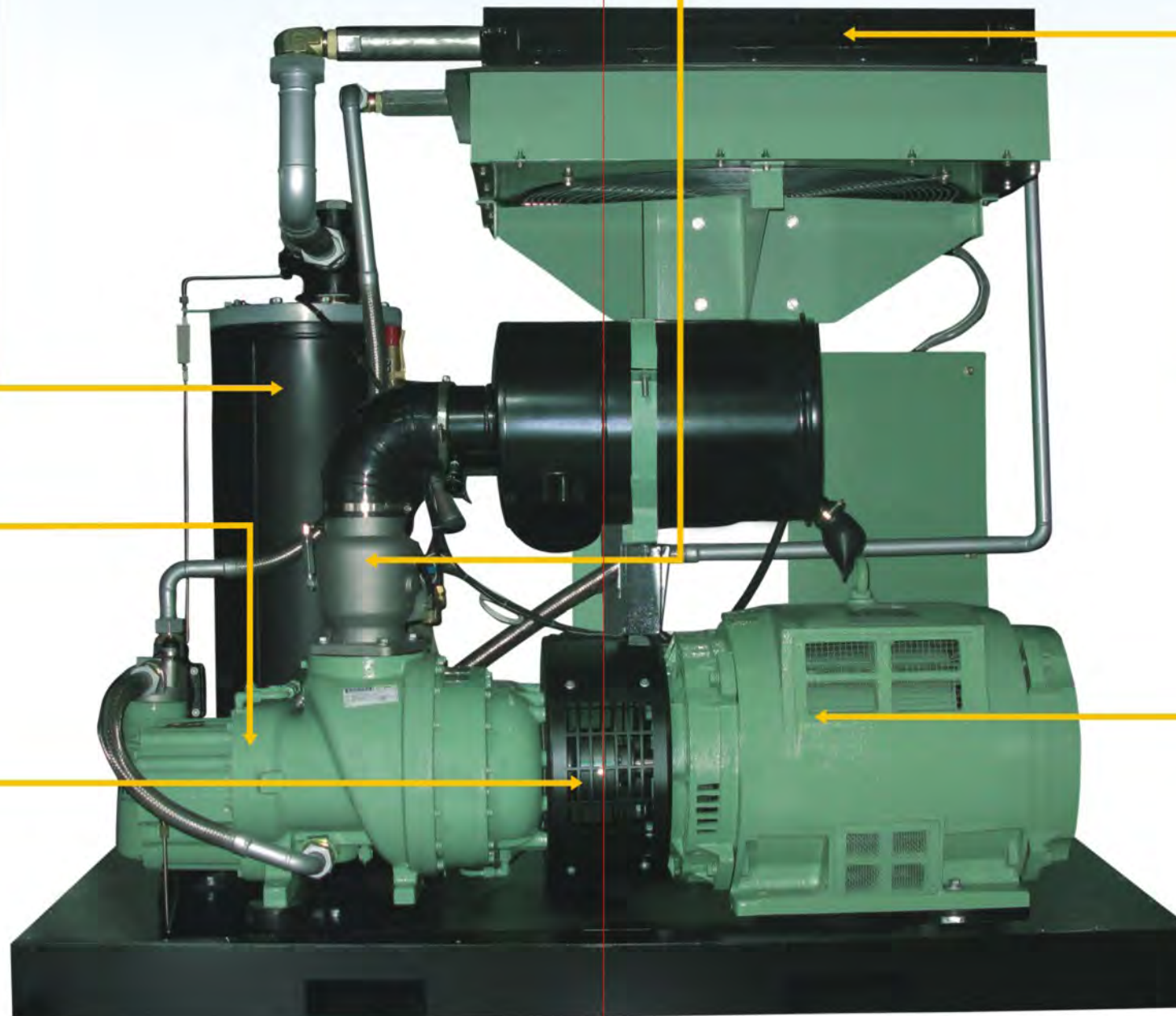
- Decrease the times of load and unload and low running cost
- Longer life for seldom impulsive load

气量调节

- 可实现排气量0%–100%的无级调节
- 更好地满足客户用气需求，节约能耗

Inlet Modulation

- Match compressor output with demand 0%-100% adjustment
- Matching to the output need and energy savings



高效冷却系统

- 超大冷却器，设计余量大，较普通冷却器散热面积大三分之一
- 散热效率高，有效延长润滑油寿命，降低运行成本

Cooling

- Air-cooled units have updraft coolers, which is bigger than usual to better cooling effect
- High cooling efficiency, longer life for lubricants and lower running cost

高性能电机

- 散热能力强，B级温升，绝缘不易老化
- 高品质轴承，磨损小，寿命长，确保长期连续无故障运行

High Efficiency Motor

- F class insulation with temperature rise B and better cooling effect
- Excellent bearings for longer life

注：以上图片仅供参考，机器以实物为准。

AS 04-110 系列空气压缩机

AS 04-110 Series Compressor

微电脑控制器

- 具有温度、压力等参数实时显示及报警功能
- 故障记录查询，方便维护和分析
- 液晶显示屏，控制简单，使用方便

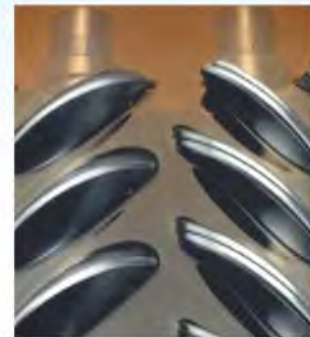


Microprocessor Controller

- Temperature, pressure and so on can be displayed and warned all at times
- Maintenance and analysis easily
- LCD screen and easy access to controls

寿力专用润滑油

- 高氧化稳定性，更长的使用寿命
- 与系统地适应性好，更低的运行成本
- 高温稳定，使用范围广
- 低凝点保证良好的低温适应性



Sullair Special Lubricant

- High oxidative stability with longer life
- Good compatibility with air system, lower cost
- High temperature stability, used widely
- Low solidifying point with good performance

关注环境

寿力不仅致力于为客户提供最高效率的空气压缩机产品，而且注重环境保护。寿力AS系列空气压缩机具有以下环保特性：

- 全封闭的保护盘，避免了维护时空压机润滑油溅出，保护了现场环境
- 润滑油过滤器核心是非金属材质，废旧过滤器便于处理，且处理费用低廉
- 专门优化的润滑系统，润滑油用量低，减少了用户的使用成本和处理废弃润滑油的费用
- 主机、马达等部件使用橡胶减震器，有效降低了震动烈度，减少了噪音

A Concern for the Environment

Sullair not only focuses on conservation and committed to providing air compressors that will use energy most efficiently but also is a concern for the environment.

- Fully-sealed protection pan that will contain compressor fluid should any spill while servicing
- Cordless fluid filter of non-metallic design that can be either incinerated or crushed, virtually eliminating disposal concerns and expense
- Low fluid capacity reduces overall fluid costs and disposal issues
- Additionally, Sullair mounts air end, motor on rubber isolators



技术参数

Technical Specifications

AS04-15空气压缩机

型号 Model	马达 Motor		最大排气压力 Max. working pressure			重量 Weight-kg	出口尺寸 Discharge Connection
	HP	kW	8.0bar 排气量	10.0bar Capacity-m ³ /min *	13.0bar		
AS04	5	4	0.58	0.5	0.4	228(不带储气罐)	Rc3/4
AS05	7.5	5	0.83	0.75	0.6	238(不带储气罐)	Rc3/4
AS07	10	7	1.07	1.01	0.85	248(不带储气罐)	Rc3/4
AS11	15	11	1.8	1.55	1.21	350(不带储气罐)	Rc1
AS15	20	15	2.28	2.05	1.7	365(不带储气罐)	Rc1

AS18-110空气压缩机

型号 Model	马达 Motor		最大排气压力 Max. working pressure				重量 Weight-kg	出口尺寸 Discharge Connection
	HP	kW	7.6bar 排气量	8.6bar Capacity-m ³ /min *	10.6bar	12.6bar		
AS18	25	18	3.2	2.9	2.6	2.2	580	Rc1
AS22	30	22	3.75	3.55	3.1	2.7	650	Rc1
AS30	40	30	5.1	4.75	4.1	3.4	900	Rc1-1/2
AS37	50	37	6.8	6.3	5.8	5.1	1000	Rc1-1/2
AS45	60	45	8.5	7.8	6.9	5.65	1380	Rc2
AS55	75	55	10.5	9.5	8.6	7.6	1410	Rc2
AS75	100	75	13.5	12.5	11.1	10.2	1520	Rc2
AS90	125	90	16.9	15.5	14.2	12.8	2100	Rc2
AS110	150	110	20.1	19.6	16.5	14.6	2300	Rc2

设备尺寸 Dimensions(mm)

型号 Model	长 Length	宽 Width	高 Height
AS04、AS05、AS07系列(不带储气罐)	826	546	940
AS04、AS05、AS07系列(带储气罐)	1210	546	1460
AS11、AS15系列(不带储气罐)	998	618	1035
AS11、AS15系列(带储气罐)	1460	618	1642
AS18、AS22系列	1340	740	1300
AS30、AS37系列	1600	860	1440
AS45、AS55、AS75系列	2000	1200	1680
AS90、AS110系列	2500	1400	1800

注：

1. AS18-110所有机型均支持变频机型。
2. AS04-75均为风冷机型，AS90-110包含风冷和水冷机型。
3. 排气量是在额定排气压力下测得，根据国际GB3853测试(等同于ISO1217 附录C)。